

BULK SOLIDS HANDLING EQUIPMENT

FLOW AIDS 破拱装置

Bin Aerators-VB-Series

VB系列助流气碗

VB VBI和VBE型振动式破拱气碗用于改善散装物料的流动情况
VB and VBE vibratory bowl for help gas flow to improve the bulk material



VB

性能-特性

- 工作压力: 0.8 ~ 4bar
- 工作温度: -40 ~ +170°C
- 相比其它流化器效率提高70%-130%
- 适用于水泥, 石灰和类似粉末
- 食品级 (FDA)

Performance & Technical Features - Benefits

- Air pressure 0.8 to 4 bar
- For powders and granular products
- Food-grade (FDA-approved)

选项&附件

- 带有不锈钢轴 (VBI)
- 外部安装套件 (VBE)
- 微型振动器 (VBM)

Options & Accessories

- With stainless steel shaft (VBI)
- For external assembly (VBE only)
- Miniature execution (VBM)



VB

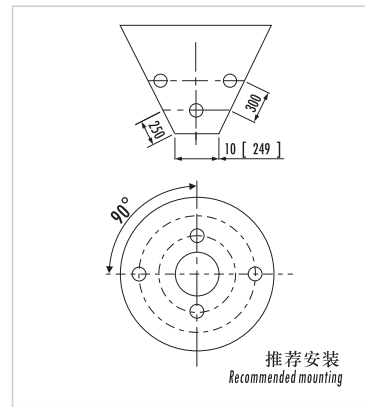
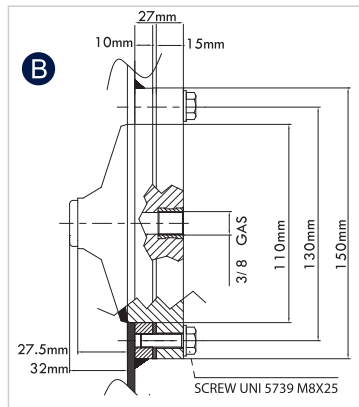
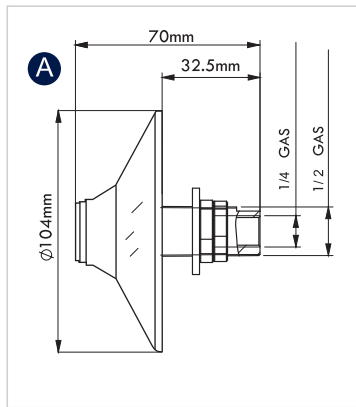
VBI



VBE

型号含义 How To Order

VB	I	E	
Type 型号	空白: 标准 BLANK: Standard Aerator	空白: 铝合金轴 I: 不锈钢轴 BLANK: Aluminium I: Stainless steel	空白: 标准内部安装 E: 外部安装 BLANK: Standard E: External Mounting



Part # 型号	DRAWING	MEMBRANE COLOUR	STEM MATERIAL	Air consumption-Luftverbrauch空气最大消耗 MAX.					
				2bar(29psi)		4bar(58psi)		6bar(87psi)	
				L/min	cfm	l/min	cfm	l/min	cfm
VB	A	White	Aluminium	500	17	1000	34	1660	57
VBI	A	White	Stainless steel	500	17	1000	34	1660	57
VBE	B	White	Nylon	500	17	1000	34	1660	57
VBIE	B	White	Nylon	500	17	1000	34	1660	57

破拱器的工作方式推荐采用间歇式运行, 例如采用开启2-3秒, 停止7-10秒, 不同压力和不同工作间歇下的破拱器将会产生截然不同的助流效果。
The work broken arch recommended intermittent operation, such as using open 2-3 seconds, stop for 10-15 seconds, different pressures and under different working intermittently broken arch device will produce different effects of aid flows.

空气消耗:

CFM x 流化器数量 x 总接通时间(秒)/分 x 1分/60秒 = 要求的总CFM

Dimensions in mm

Please contact us on any small problems & details.