

BULK SOLIDS HANDLING EQUIPMENT

SHAFT BOX SEALING 轴封盒

Air-blown sealing unit- XUC-Series 减速箱轴杆密封盒

XUC 系列密封盒适用于S系列减速箱轴杆密封。
XUC Series sealed box for S series gear box shaft seal.

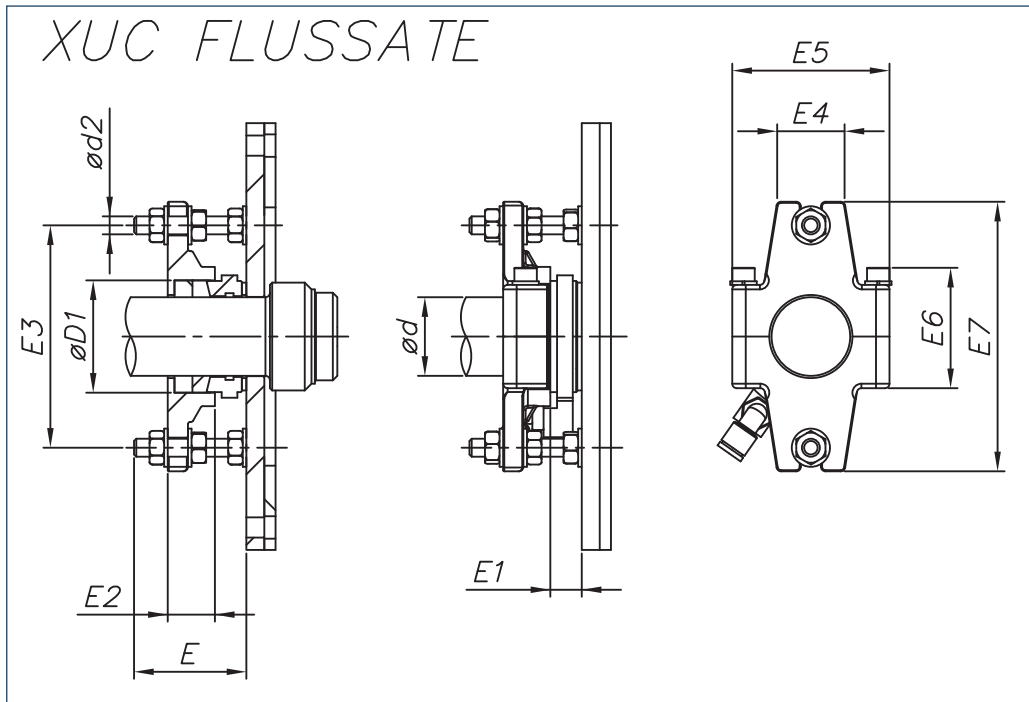


Code 代号

U C 0 4 5 B 1

030	060	Shaft diameter 轴直径
035	070	
040	080	
045	090	
050	100	
055		

Seal body material 轴封壳体材质	1: cast iron 铸铁 2: SS 304 不锈钢304 3: SS 316 不锈钢316
Seal features 密封特性	B: teflon plated packing gland seal 碳素盘根填料 C: teflon plated packing gland seal 聚四氟乙烯镀膜填料盖 E: pre-grease felt seal for food applications 食品用预脂毛毡密封
Seal configuration 密封配置	*: Standard (per TX) 标准 C: with no threaded columns (for TFX)
Seal type 密封类型	G: air blown



Code	Φd	ΦD1	Φd3	E	E2	E3	E4	E5	E6	E8	E9
XUC030	30	45	M8	50	20	21	30	70	50	99	120
XUC035	35	50	M8	50	20	21	30	70	50	99	120
XUC040	40	55	M8	50	20	21	30	80	60	121.6	140
XUC045	45	60	M8	50	20	21	30	80	60	121.6	140
XUC050	50	70	M10	60	24	27	45	100	70	141.4	164
XUC055	55	75	M10	60	24	27	45	100	70	141.4	164
XUC060	60	80	M10	60	24	27	45	105	70	183.8	210

Dimensions in mm